

Upgrade to

DIN rail cutter

- ***Superior Quality***
- ***Unique Features***
- ***Excellent Value***
- ***In Stock***

Manual DIN rail cutter

- For cutting sheet steel DIN rails:
 - 15 x 5 x 1 mm
 - 35 x 7.5 x 1 mm

Surface finish

- Painted RAL 3000 and galvanized



Photo shows optional stop

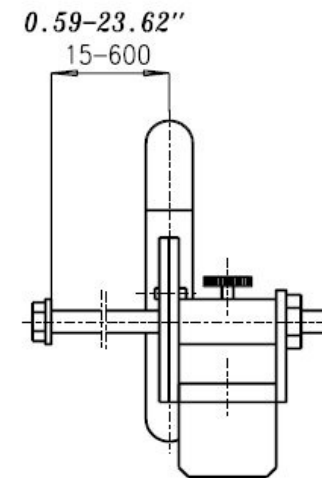
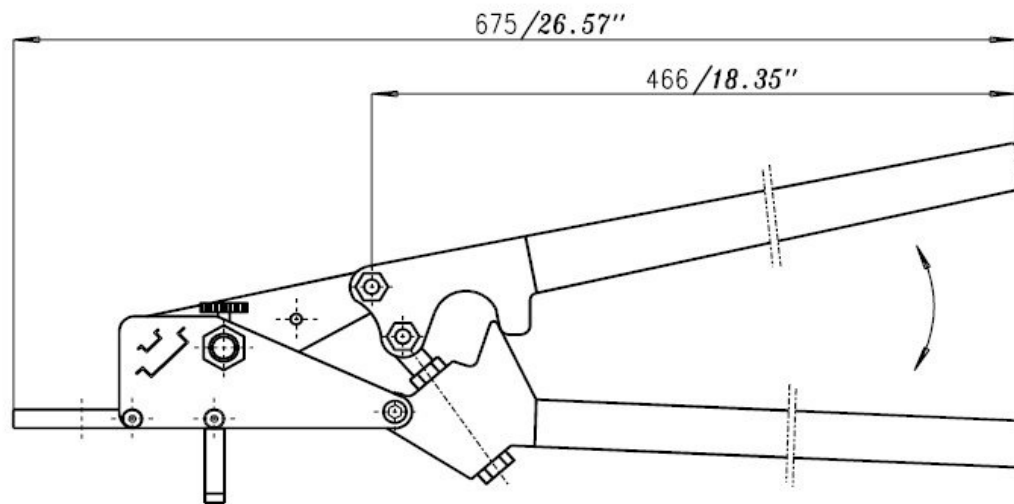
For a complete list of all häwa DIN rail cutters and related tools, please see the full line häwa tool catalog.

- **Minimal effort to operate**
- **Burr-free cut**
- **No chips – no scrap**
- **Fixed or mobile operation**

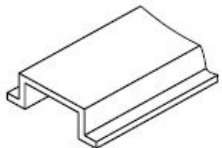
häwa DIN rail cutter, manual operation

DON'T FIND THE SIZE YOU NEED?
PLEASE ALSO CHECK OUR TOOLS CATALOG
OR CALL US AT 1-800-783-4239

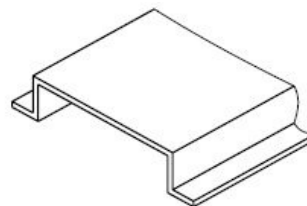
Description	Order No.	Weight
DIN rail cutter	2693-7415-35-00	8.4 lbs
Stop	2693-0715-60-00	0.4 lbs



Cuts these DIN rail profiles:



15 x 5 x 1 mm
DIN EN 60715



35 x 7.5 x 1 mm
DIN EN 60715